

# **EFCUT SCP80/100 GASOLINE WOOD CHIPPER OWNER'S MANUAL**



# Catalog

<b>Foreword.....</b>	<b>3</b>
<b>Attention.....</b>	<b>3</b>
<b>Marks.....</b>	<b>5-6</b>
<b>Machine Instructions.....</b>	<b>7</b>
<b>Maintenance And Service.....</b>	<b>8-10</b>
<b>Fault Detection.....</b>	<b>11</b>

## Foreword

**1.1. Thanks for your choosing EFCUT product, we believe that you will acknowledge the high quality of this wood chipper.**

**1.2. If do not obey the following warning sign and secure directive, it may cause damage.**

**1.3. Please read instruction manual carefully before using this machine, fully understand the specified technology, correct method of use.**

**1.4. This kind of wood chipper is designed for chipping green wood, the maximum feeding diameter can be 80-100mm (decided by machine model).**

**1.5. Forbid feeding any materials except wood (metal,stone,plastic or any other)  
If feeding wood root, please clean up the sand and rock, containing all the warning and instruction for further reference.**

**1.6. The producer is not responsible for any incorrect use and injuries .**

## Attention

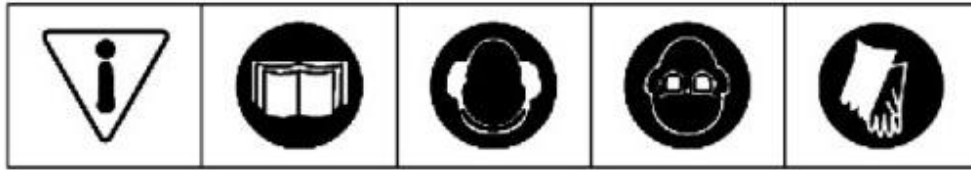
**In order to avoid operating this machine with mistake, Please take time read all the instruct directive carefully. The included information of this manual is important for your personal safety and around environment . If you have any questions about this manual, please contact the professional service center or producer.**

## **2.1. Safety And Environment**

- 1) This machine can be operated by adult. Do not let the children and people without experience operate machine. You should know the operate method and operate rules before using this machine.**
- 2) The cutting device is sharp, it is dangerous to operate machine with mistake method.**
- 3) The machine must be placed on a stable ground**
- 4) Check tire pressure regularly: minimum 22 PSI and maximum 30 PSI. Leave chip outputting space at least 10 meters long and 3 meters wide**
- 5) Set the switch to “Off” position during the following situation:**
  - The machine is nobody attended.**
  - The machine is under maintenance and repair.**
  - Unload the feeding chute and outputting chute.**

## **2.2. Personal Safety**

- 1) Understand what are you doing, keep awake.**
- 2) Do not operate this machine when you are in fatigue condition, do not operate this machine after drinking or take pills, do not wear loosing clothing when operating machine.**
- 3) Please focus attention on machine when operating**
- 4) Before starting the machine, delete all the enter press and hand tool, leave a key wrench in the neighborhood.**
- 5) Please always wear gloves, protection glasses and ear protection cover.**



### 2.3. Safety Area

10 meters around the machine is the safety operating area, do not let children and animals close to this area. Mark the safety area with signal line and warning mark if needed. Keep the working area clean and enough lighting.

### 2.4. The Security Use Of Fuels

1) The fuel of this machine is highly flammable, in case of fire, please turn off the engine, extinguish fire with dry powder. Avoid gasoline and oil contact skin and eyes. Go to hospital without delay if you feel bad.

2) Do not add fuel in the fire and spark place. Do not spill fuel, if there are any overflow fuel, clean these fuel to make sure the safety of machine and people. Do not remove the oil tank when the engine is running. Make sure that this machine is turn off when opening oil tank.

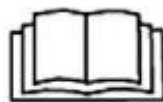
The manufacturer is not responsible for any incorrect use and injuries .

## Marks

### Warning Mark



Attention!



Read this manual carefully



Use hearing protection device



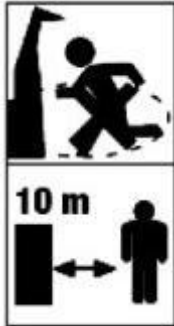
Wear protecting glasses



**Wear gloves**



**Keep far away from this machine**



**Do not let people enter working area. This is a 10 meter area.**



**Leave your hands and away from machine**



**Hot!**



**check the oil tank before using, oil tank capacity refer to the engine manual.**

### **Engine mark**

**In order to ensure the operating safety, be familiar with the following engine mark.**



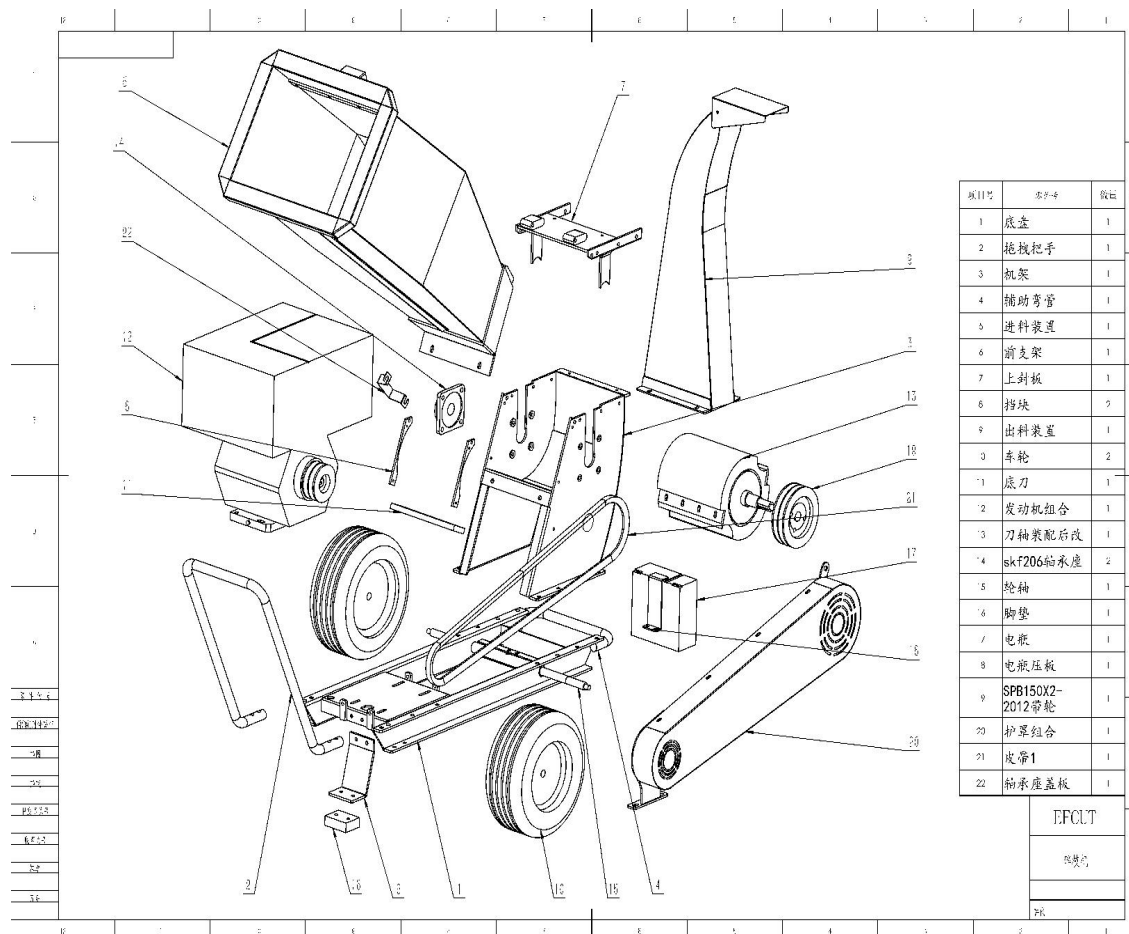
**Ventilation door**



**Engine speed control**

# Machine Instructions

EFCUT SCP wood chipper is designed for chipping green wood, the maximum feeding diameter can be 80-100mm (decided by machine model). The manufacturer is not responsible for any incorrect use and injuries. Using this machine in dry and clean environment.



## Operation

This kind of wood chipper is designed for chipping green wood, The maximum feeding diameter can be 80-100mm(decided by machine model). Forbid feeding any materials except wood. If feeding wood root, please clean up the sand and rock.

**Keep certain distance with feeding chute, or the long wood branches may hit your face or body.**

**Attention: Press the emergency switch without hesitation when have emergency.**

## **Maintenance And Service**

- **Check machine regularly to make sure it always in good condition.**
- **Turn off engine before wash and transport this machine.**
- **It should be ensured that the engine is in turn off condition and then take out spark plug before any repair and maintenance**
- **Do not use high-pressure water cleaning machine, otherwise it might damage the motor and bearing,**
- **Use lubricate prevent bearing ,rotor and blades get corrosion.**
- **Check emergency switch regularly.**
- **Check tire pressure to make sure it have enough pressure**
- **More engine maintenance refer to the engine manual.**

**Unload the input and out chute for cleaning purpose**

**Remove the hexagon screws which attached on the feeding chute (Pic 1.1-1.2).**



**Remove the screw (Pic 1.3). Pull back the feeding chute slowly (Pic 1.4)**





**Machine might lose balance, put machine at a higher place if necessary (Pic 1.5) unload the whole feeding chute (Pic 1.6) .**



### **Adjust Or Replace Belt**

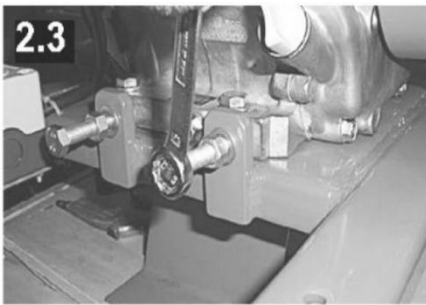
**When repairing the machine, make sure that the engine is turn off and take out spark plug, unload the belt cover, unscrew the fastening screw and remove the rotor shell ribbon box (Pic 2.1)**



**Unscrew the locking screw of the engine (Pic 2.2)**



**Loosen the screw slowly (Pic 2.3)**



**Move the engine back so that make belt loose, remove the old belt and replace it with a new belt and repeat the process in the opposite order.**

**Attention: check the distance between the blades when replacing the belts.**

**By moving the pull cylinder to tighten the belt, lock the position of the engine case to tighten the screw. Make sure the belt get enough tension.**



**Make sure that the belt is tightened , so that the belt pulley is aligned (Pic 2.4).**

**Adjust the belt and belt pulley, make sure all screws tightened, especially the screw fixed on the rotor shell. After replacing belts, run the engine without loading for 5minutes. During this period, check the tightness of the fastening parts without vibration or sound. Follow up this maintenance to keep machine normal operate.**

## Fault detection

If machine can not operate normally, try to find the following reason and solutions

	Possible reason	Solution
Machine can not work normal	Blades blunt	Sharpen or replace new one
Can not stick to wood	The wood diameter is oversize	remove the big branch
Can not chip wood	The gap between fixed blades no correct	Adjust to right gap
Can not start the engine	Engine switch is no Open	Check and make sure the switch is ON
	No fuel	Fill in fuel
	No enough oil	Fill in oil
Always stuck wood when chipping	The wood diameter is oversize	Turn off the engine and take out the stuck wood, take off the input chute and clear the machine when necessary
Abnormal noise of engine	Stone or other materials in the feeding chute	
The outputting chute is stuck.	The crushed material is too wet	Turn off engine,unload outputting chute. Do not use hands touch the crushed material, drain the chute with stick or other tools.

### Guarantee:

**12months after the installation for mechanical parts and electrical parts under the normal use ,care and maintenance.**

**The below situation is not included in the guarantee arrange:**

- Nature wear and tear
- Misuse and wrong operation
- Unauthorized person operate machine or do not use original spare parts cause machine damage

**Attention! To ensure operating machine safety .Please read this instruction manual carefully!**